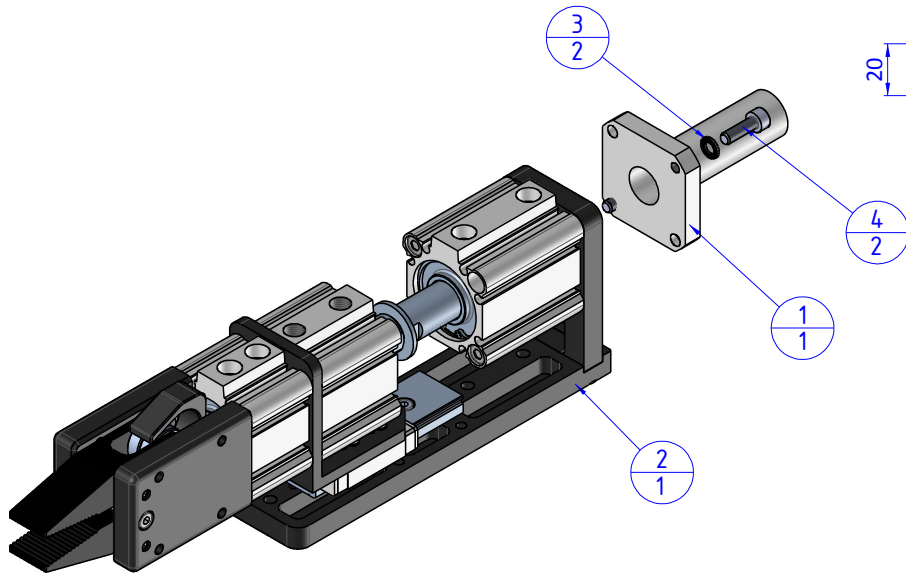
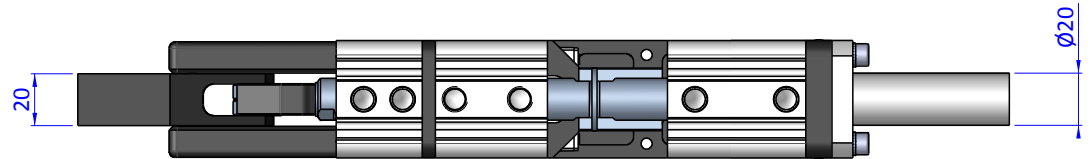
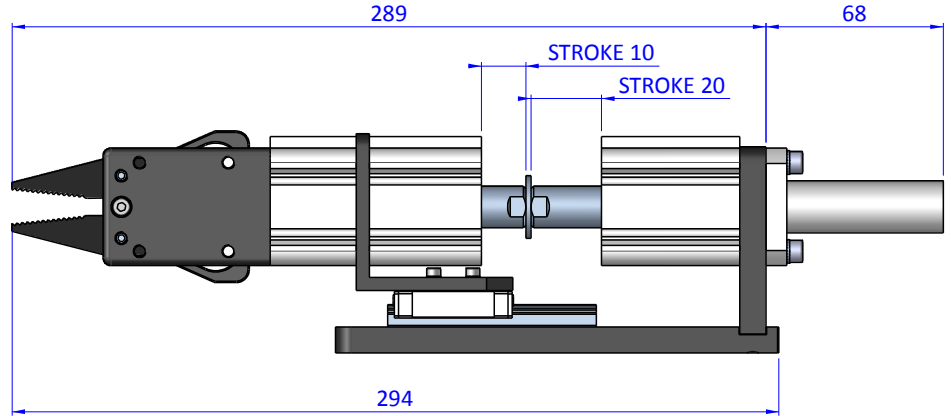
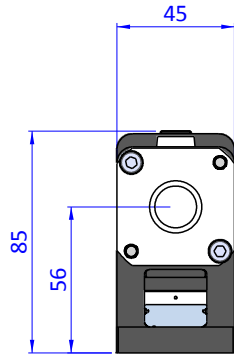



THE PROPERTY OF THE DRAWING IS ESTABLISHED BY LAW. IT IS FORBIDDEN TO PRODUCE OR SHOW IT TO THIRD PARTY, WITHOUT A WRITTEN AGREEMENT.

Item	Name	Q.ty
1	CA.ADZ.32.20	1
2	CA.GZ.322010	1
3	R.5.SCH	2
4	V.TCE5x16	2



Format A3

UNI 936-76

 FPS SERVICES AUTOMATION		DESIGNED FROM		REVIEW
		FPS Automation		A
GENERAL TOLERANCE		DATE	WEIGHT	
UNI - ISO 2768		05/06/2019	0,553kg	
CLASSE f		CODE		
		CA.GZ.32201020		CA.GZ.32201020